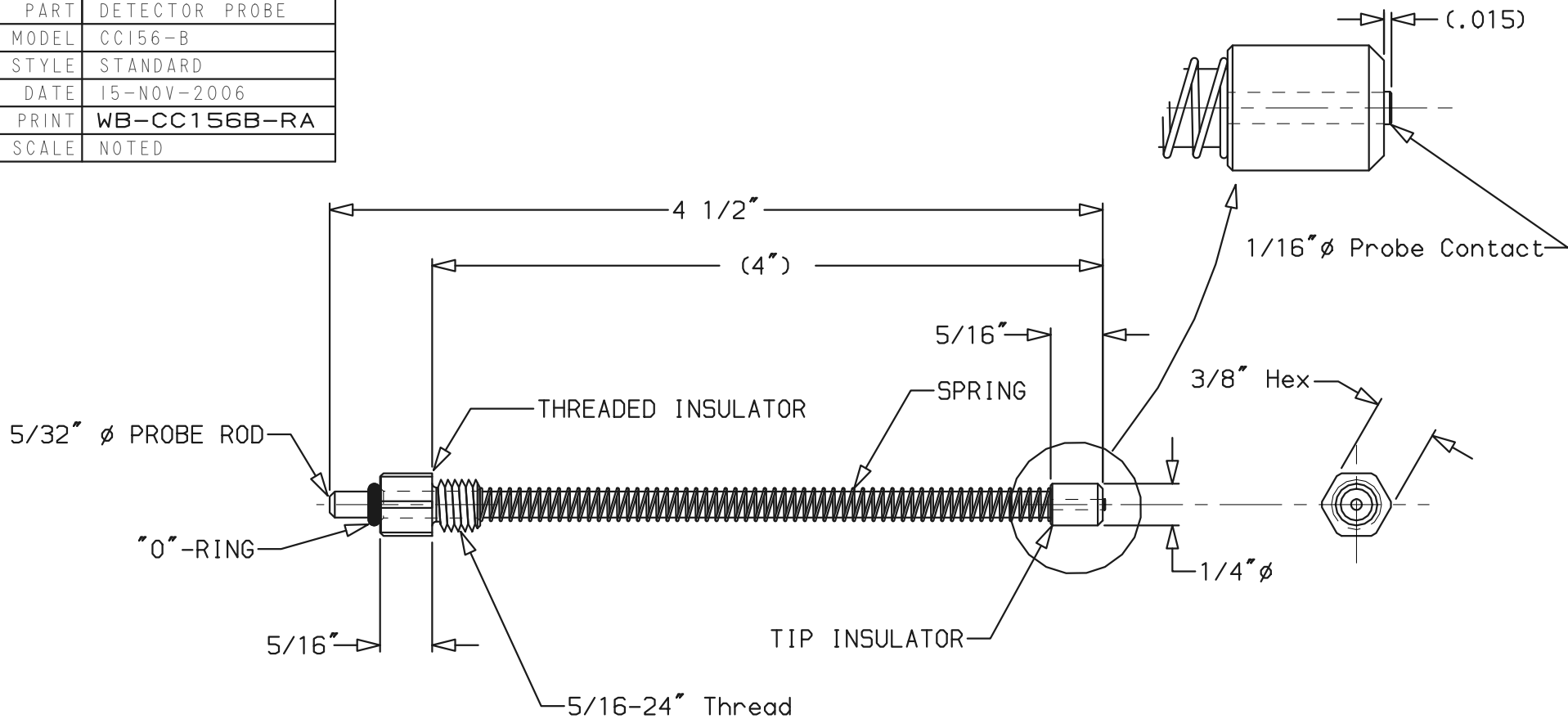




PART	DETECTOR PROBE
MODEL	CC156-B
STYLE	STANDARD
DATE	15-NOV-2006
PRINT	WB-CC156B-RA
SCALE	NOTED

LTR	REVISIONS	DATE	INT
A	Product Information	2/21/07	HC
-	-	-	-

BETTER WAY DESIGN



PRODUCT CODE:

CC156B
STANDARD

NOTICE: This document contains proprietary information and is submitted in confidence. Submission of this document does not convey the right to reproduce, transfer, or disclose any information contained herein or to manufacture items defined except by written permission from BWD (Better Way Design) LLC.

SCALE

IX

PRINT
REV
REVISION

A